



WESMAR™

DC PRO THRUSTER SERIES

IMPORTANT ADVANTAGES OF

WESMAR Thrusters

- Extremely efficient electric motors eliminate the possibility of early thermal shutdown
- Fully proportional control for safe and gentle docking; or full power if the conditions dictate
- Durable stainless steel gearbox and propellers resistant to electrolysis
- Counter rotating dual propellers provide up to 40 percent more thrust with the same input power
- Easy retrofit drop-in installation for existing thruster tunnels
- High quality AGMA 9 matched and lapped spiral bevel gears for quiet operation.
- Proportional motor and control upgrades available for WESMAR's conventional on/off DC Systems.



Stainless Steel Thrusters For Vessels 30 to 60 Feet

Counter Rotating Dual Propellers with No Thermal Shutdown and Proportional Control

Retrofits: Designed for Easy Mount to Fit Existing Metric Sized Tunnels

- EASY RETROFIT

Upgrading your vessel has never been easier. WESMAR's two bolt design allows for a simple drop-in installation on existing metric sized tunnels. Both the V2-7 and V2-10 M Models replace Max Power, Side Power, and Vetus Thrusters.

V2-7 M

24 or 48 VDC Proportional
Tunnel Size: 185 mm
24 VDC 6 HP Brushless
48 VDC 13 HP



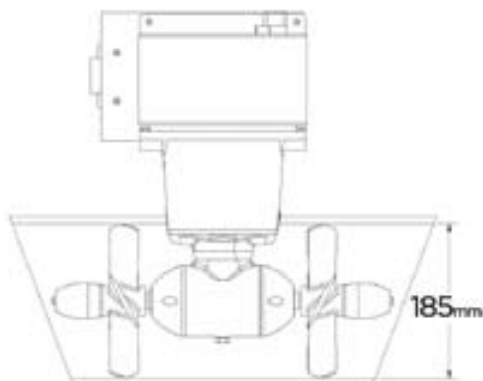
V2-10 M

48 VDC Proportional
Tunnel Size: 250 mm
48 VDC 13 HP

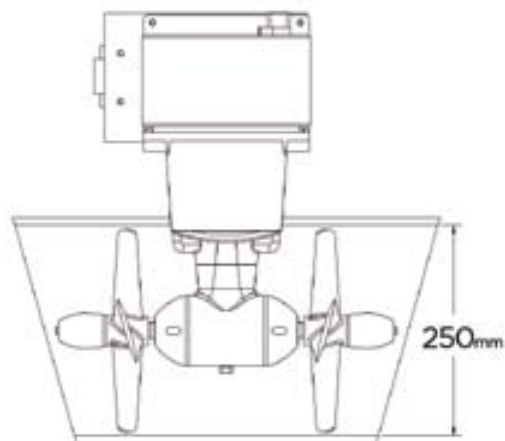


For Replacement of Existing Old Technology Thrusters

V2-7 M



V2-10 M



WESMAR Standard DC Pro

Proportional Systems

• CONTINUOUS OPERATION AND PROPORTIONAL CONTROL

WESMAR's proportional DC electric thrusters provide the advantages of continuous operation and proportional control available in hydraulic systems. This allows the operator to apply the appropriate thrust for the docking operation without the worry of thermal shutdown of conventional DC systems.

V2-8 NS

24 or 48 VDC Proportional
Tunnel Size: 8 in
24 VDC 6 HP Brushless
48 VDC 13 HP



V2-10-48/13 or V2-12-48/13

Tunnel Size: 10 or 12 in
48 VDC 13 HP



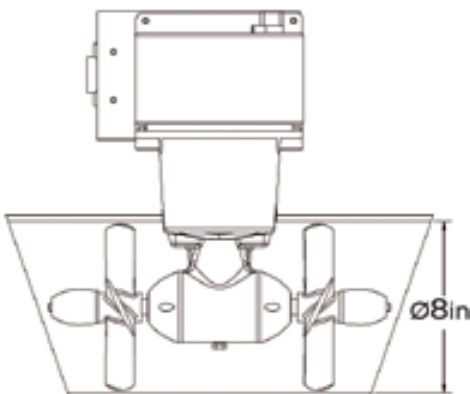
V2-12-48/23

Tunnel Size: 12 in
48 VDC 23 HP

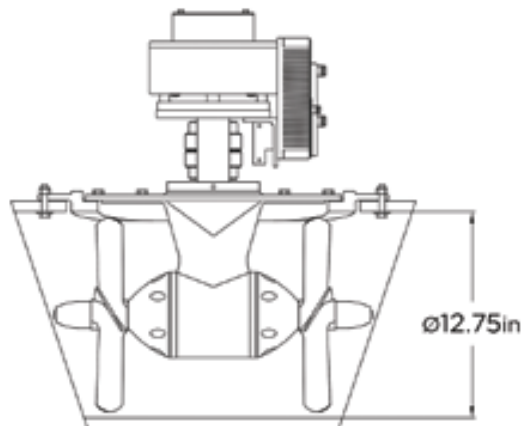


For New Installation and WESMAR Standard Retrofits

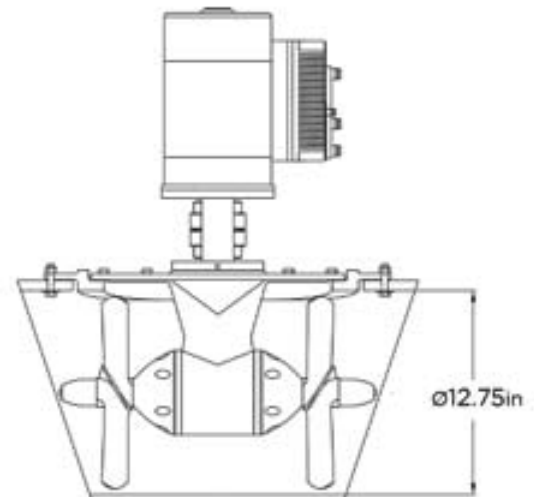
V2-8 NS



V2-12-48/13



V2-12-48/23



WESMAR Stern Thruster Tunnels

Available for the V2-7 M and V2-12 M



Bow & Stern Thruster Controls

Up to 6 proportional control stations can be provided.



Single Control



Bow/Stern Control



Western Marine Electronics

14120 NE 200th Street, Woodinville, WA 98072 USA

Tel: (425) 481-2296 Fax: (425) 486-0909

bsentz@wesmar.com www.wesmar.com

PRODUCT WARRANTY

Commercial warranty and consumer limited warranty, disclaimer, and remedies. Seller warrants title, materials, and workmanship on equipment, except components manufactured by others for which seller assigns, as permitted, the original manufacturer's warranty. Seller's warranty period for all applicable express or implied warranties shall be ninety (90) days after installation or one (1) year after date of shipment to the original buyer, whichever time period expires first. Nonconforming equipment reported to seller during the applicable warranty period and returned to seller at buyer's expense and risk shall be repaired, or replaced at seller's option. If seller is unable or unwilling to repair or replace such reported and returned nonconforming equipment within a reasonable time, then buyer shall be entitled to a refund of the purchase price of the equipment as buyer's sole remedy. This paragraph sets forth buyer's exclusive remedies for nonconforming goods. This commercial warranty and consumer limited warranty is in lieu of all other warranties, express or implied, including design, course of dealing, merchantability, and fitness for a particular purpose.

NOTE: LIMITATION OF SELLER'S COMMERCIAL AND CONSUMER LIABILITY. Seller shall not be liable on any claim for loss of use, revenue, or profit, for injury, or for any other incidental or consequential damages, regardless of the basis for buyer's claim(s), including, but not limited to, the law of contract, warranty, or tort. In no case shall seller's liability on any claim(s) exceed the amount paid to seller for the purchased goods.

WESMAR Quality Products

In addition to powerful and long lasting thrusters, WESMAR offers a wide range of other rugged and reliable products for vessels including:

•Roll Fin Stabilizers



WESMAR's cutting-edge roll fin stabilizers vastly improve vessel handling and safety, save fuel, and provide exceptional comfort for passengers and crew. WESMAR's stabilizers electronically adjust to correct up to 90% of the roll, resulting in more efficient and relaxed traveling.

•Auxiliary Propulsion Unit



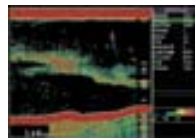
For an instant, reliable, and alternative source of power with minimal maintenance, WESMAR offers its Auxiliary Propulsion Unit (APU's). The APU system provides continuous propulsion when quiet slow speed travel is desired or in the event of a main engine failure.

•Anchor Windlass



WESMAR's stainless steel anchor windlass is uniquely designed with an electronically driven magnetic chain counter that is imbedded in the housing. Low maintenance and reliable operation of all stainless steel hardware are the primary objectives behind WESMAR's anchor windlass.

•Fish Detection, Navigation and Security Sonar



WESMAR's wide range of precision searchlight sonar, designed for yachts and sport fishing boats, gives 360 degrees of detailed information beneath and around the vessel. WESMAR's high tech sonar is a must for every vessel on the open water for unequaled fish detection, navigation, and safe travel.

•WESMAR Produces Thrusters up to 600HP